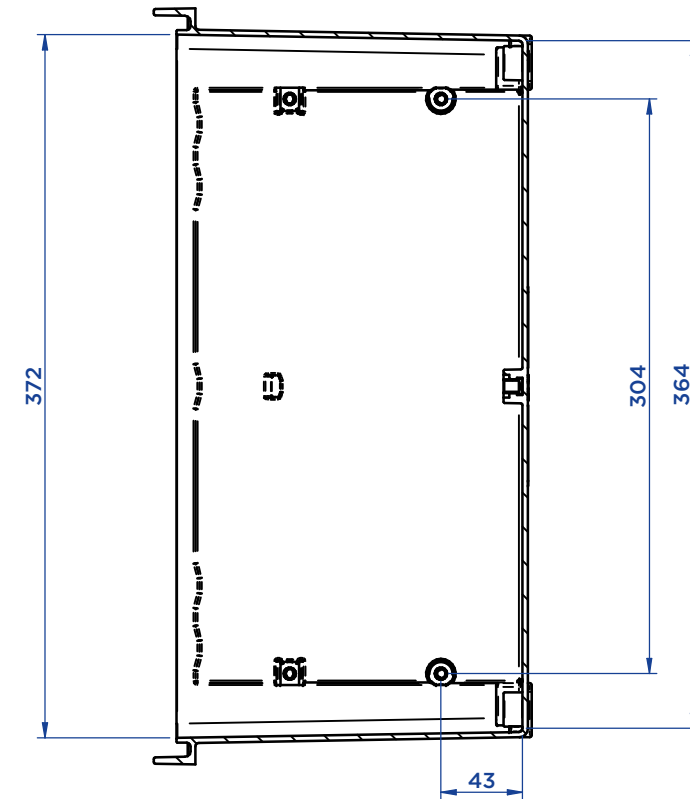
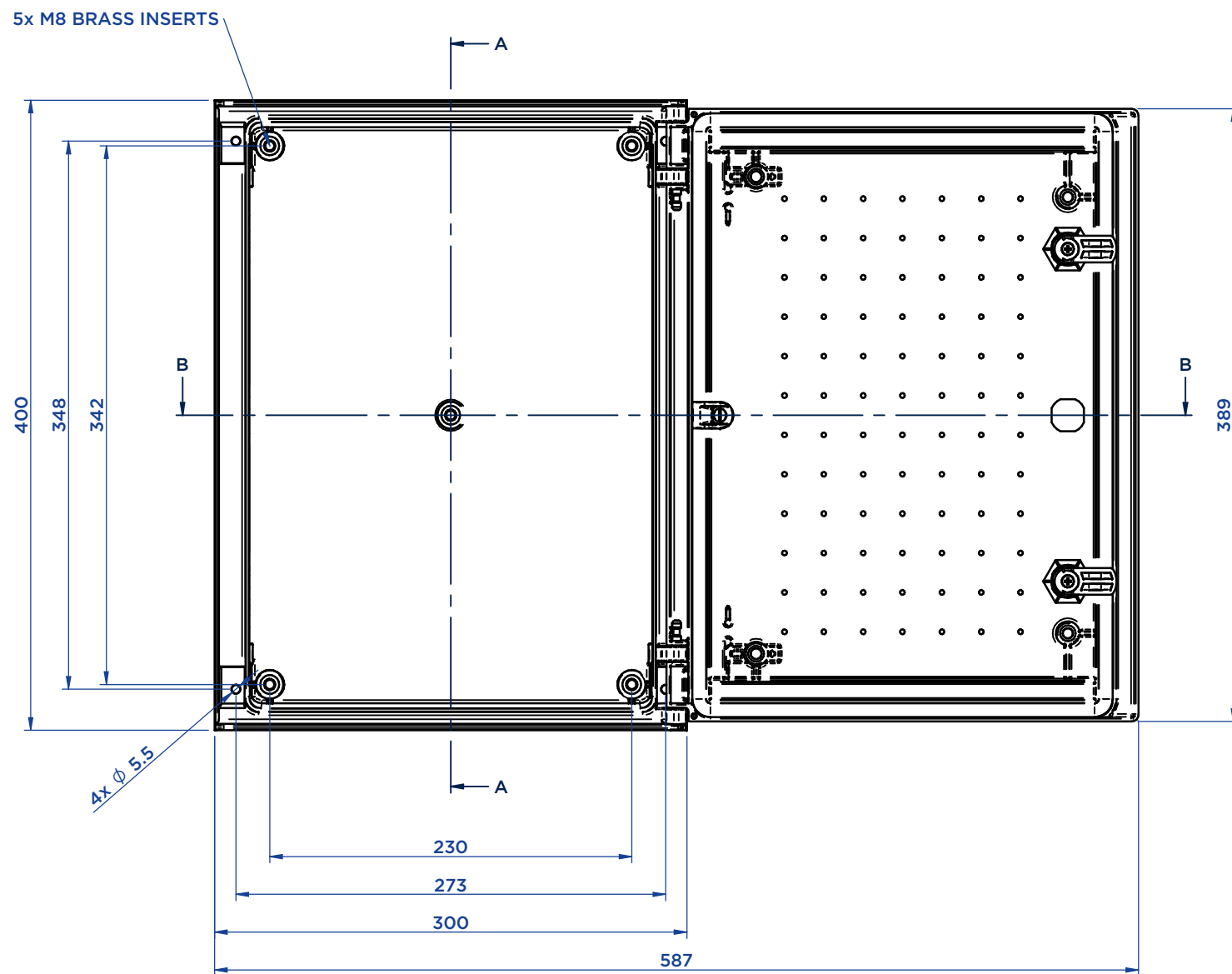


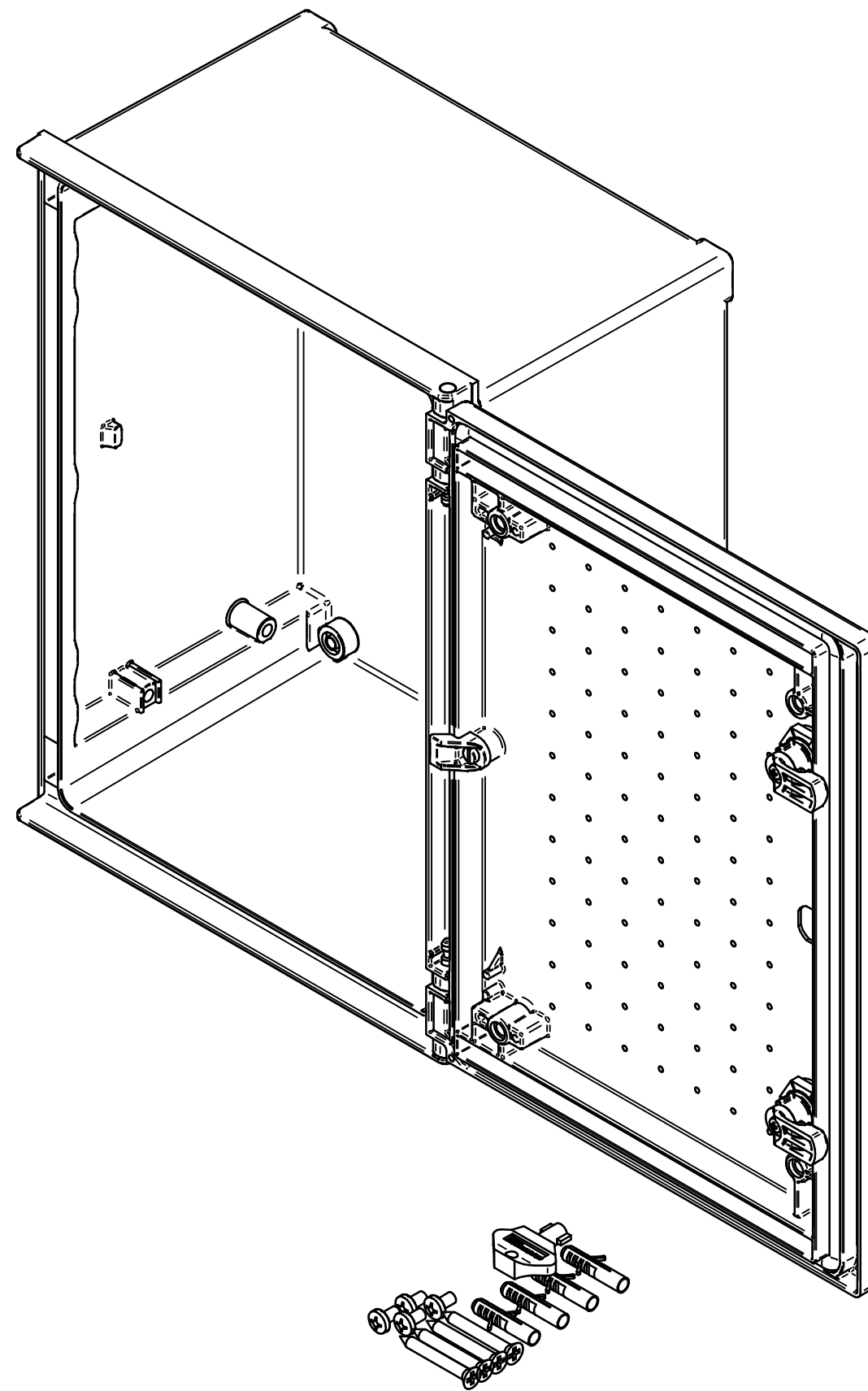
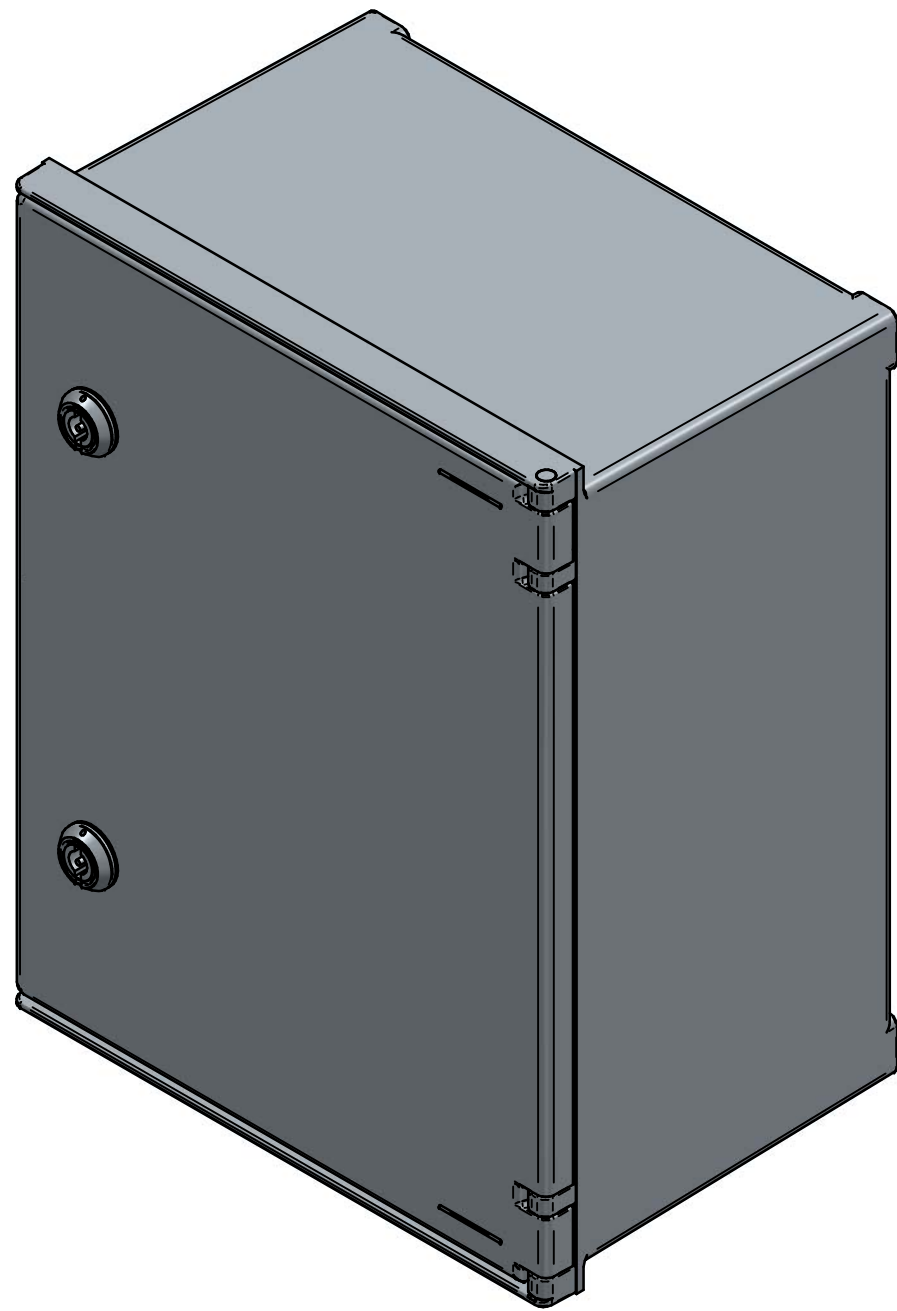
SECTION B-B




SECTION A-A  
SIMILAR BOTH SIDES

-	-	-	-	-
1	16.04.24	-	FIRST DRAWN	S. HARDINGE
REVISION	DATE	INPD #	DESCRIPTION	COMPLETED BY

	COLOUR: LIGHT-GREY RAL 7035	GAUGE: N/A	DO NOT SCALE DRAWING DEBURR AND BREAK SHARP EDGES	SCALE: 1:4 SHEET 1 OF 2
	FINISH: SMOOTH	TITLE: SALES GA DRAWING FOR SIZE -43 HERCULES CABINET		
DRAWING UNITS: MILLIMETERS TOLERANCES: SEE CRITICAL DIMENSIONS	PROJECTION 	MATERIAL: POLYESTER FIBREGLASS-REINFORCED	DWG NO: HER_B1_43 -1	<b>A3</b>



-	-	-	-	-	 <b>CAMDENBOSS</b> <small>CONNECT. ENCLOSE. INNOVATE.</small>	COLOUR: LIGHT-GREY RAL 7035	GAUGE: N/A	DO NOT SCALE DRAWING DEBURR AND BREAK SHARP EDGES	SCALE: 1:3
-	-	-	-	-		FINISH: SMOOTH	TITLE: SALES GA DRAWING FOR SIZE -43 HERCULES CABINET		SHEET 2 OF 2
1	16.04.24	-	FIRST DRAWN	S. HARDINGE		DRAWING UNITS: MILLIMETERS TOLERANCES: SEE CRITICAL DIMENSIONS	MATERIAL: POLYESTER FIBREGLASS-REINFORCED	DWG NO: HER_B1_43 -1	A3
REVISION	DATE	INPD #	DESCRIPTION	COMPLETED BY	PROJECTION				

1 2 3 4 5 6 7 8

F  
E  
D  
C  
B  
A

F  
E  
D  
C  
B  
A

1 2 3 4 5 6 7 8